

Installation manual

Farum

ENG



40011999-2006

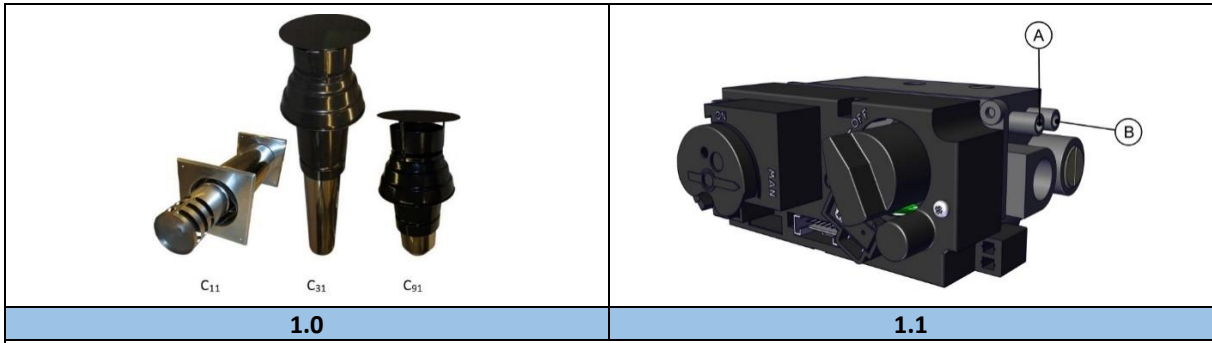
 **faber**



Commissioning gas fire			
Model:		Date:	
Installation performed by:			
<p>I. Before starting the appliance, check:</p> <ol style="list-style-type: none"> 1. <input type="checkbox"/> If the front glass is taken out of the appliance and the decoration material has not been installed yet. 2. <input type="checkbox"/> If the appliance is levelled. 3. <input type="checkbox"/> If the safety hatches are cleaned and closed. 4. <input type="checkbox"/> If there's a flue restrictor needed and is installed? <ul style="list-style-type: none"> <input type="checkbox"/> Yes, _____ mm <input type="checkbox"/> No, not needed. 5. <input type="checkbox"/> If the position of the wall- or roof terminal is according to the correct operation and building regulations. 6. <input type="checkbox"/> If the ventilation grids are installed and have in total min. 400cm² of free passage. 7. <input type="checkbox"/> If all tie wraps are removed from the burner pipes and wiring. 8. <input type="checkbox"/> Whether the ignition cable hang freely under the appliance and have no contact with any metal part. 9. <input type="checkbox"/> If the service door is installed and gives access to the control unit. 			
<p>II. Installation:</p> <ol style="list-style-type: none"> 1. <input type="checkbox"/> Check main gas connection for leakage. 2. <input type="checkbox"/> Check the standing pressure unloaded and compare with the rating plate: <ul style="list-style-type: none"> <input type="checkbox"/> Measured standing pressure unloaded: _____ mbar (min./max. 20%, chapter 7) <input type="checkbox"/> Deviation with the rating plate: _____ mbar. 3. <input type="checkbox"/> Start the fire with the remote control (or the optional I.T.C. APP). 4. <input type="checkbox"/> Run the appliance on max. settings and all burners. 5. <input type="checkbox"/> Check <u>all</u> gas connections for leakage. 6. <input type="checkbox"/> Check the standing pressure loaded and compare with unloaded pressure: <ul style="list-style-type: none"> <input type="checkbox"/> Measured standing pressure loaded: _____ mbar. 7. <input type="checkbox"/> Measure the thermocouple voltage <u>pilot flame side</u>: (interrupter (red) / ground gas control block). This value must be between the 12 and 15 mV. <ul style="list-style-type: none"> <input type="checkbox"/> Measured value: _____ mV. 8. <input type="checkbox"/> Measure the thermocouple voltage <u>solenoid valve side</u>: (interrupter (black) / ground gas control block). Value min. voltage 4,5 mV). <ul style="list-style-type: none"> <input type="checkbox"/> Measured value: _____ mV. 9. <input type="checkbox"/> Optional: measure the 2nd thermocouple voltage <u>main burner</u>: (5-pin plug (receiver) / ground gas control block). Value 2 mV within 20 seconds. <ul style="list-style-type: none"> <input type="checkbox"/> Measured value: _____ mV. 10. <input type="checkbox"/> Check the burner on high and low setting. 11. <input type="checkbox"/> Close and check all measuring nipples on leakage. 12. <input type="checkbox"/> Switch off the appliance and let it cool down. Place the decoration material. 			

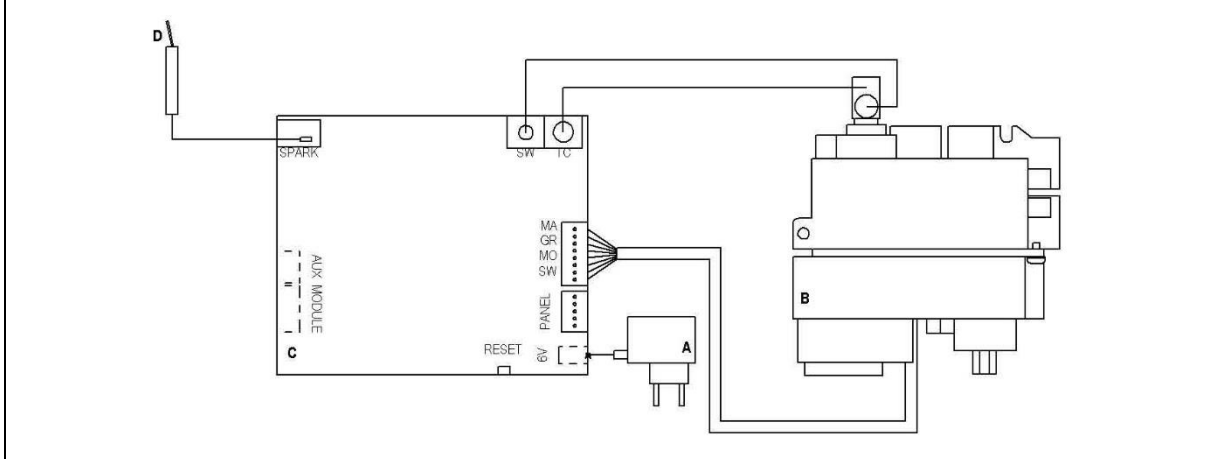


<p>III. Decoration:</p> <ul style="list-style-type: none">1. <input type="checkbox"/> The decoration material is placed according to the instructions (chapter 6 or the decoration instruction card).2. <input type="checkbox"/> Keep the pilot flame and if present the 2nd thermocouple, free from the decoration material.
<p>IV. Representation of the flames and flue gas analysis:</p> <ul style="list-style-type: none">1. <input type="checkbox"/> The glass is cleaned on both sides (chapter 5, 8 and 9). <i>Please note! Avoid fingerprints on the glass, these are no longer removable once the fire is used!</i>2. <input type="checkbox"/> Let the fireplace burn for at least 20 minutes at highest setting and check the flame for (chapter 7.1):<ul style="list-style-type: none"><input type="checkbox"/> Flame distribution;<input type="checkbox"/> Colour of the flames.3. <input type="checkbox"/> Perform, when it's possible, a flue gas analysis (see chapter 7.2).4. <input type="checkbox"/> Close and check all the measuring nipples on leakage.
<p>V. Information and material for the customer:</p> <ul style="list-style-type: none">1. <input type="checkbox"/> Inform the customer personally about the correct use of:<ul style="list-style-type: none"><input type="checkbox"/> the appliance;<input type="checkbox"/> the remote control;<input type="checkbox"/> if present, the APP and it's settings;<input type="checkbox"/> the maintenance process.1. <input type="checkbox"/> Handover to the customer:<ul style="list-style-type: none"><input type="checkbox"/> the installation manual;<input type="checkbox"/> the user manual;<input type="checkbox"/> the decoration instruction card;<input type="checkbox"/> the suction cups;<input type="checkbox"/> the Faber glass polish sample. <p><i>Please note! Before leaving the customer, save your company data in the Faber APP (if present).</i></p>
<p>VI. Comments:</p>



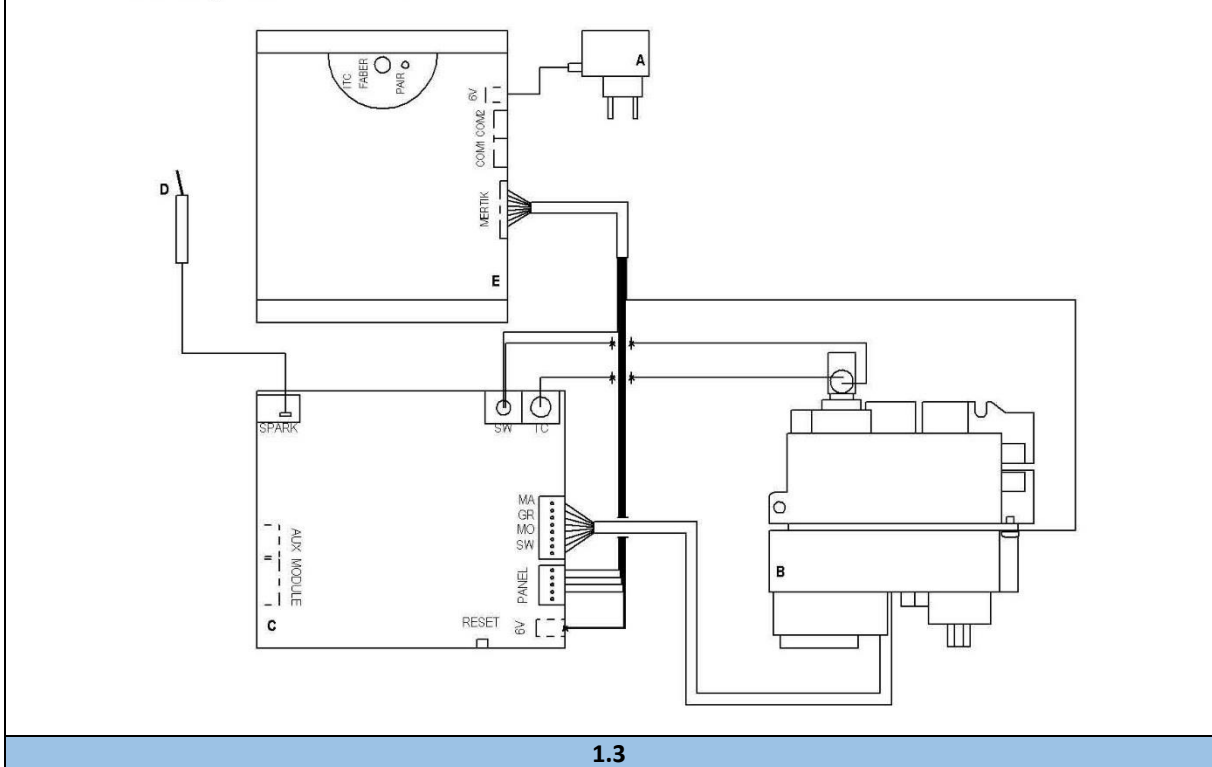
1.0

1.1



1.2

Wire diagram Mertik + I.T.C.



1.3

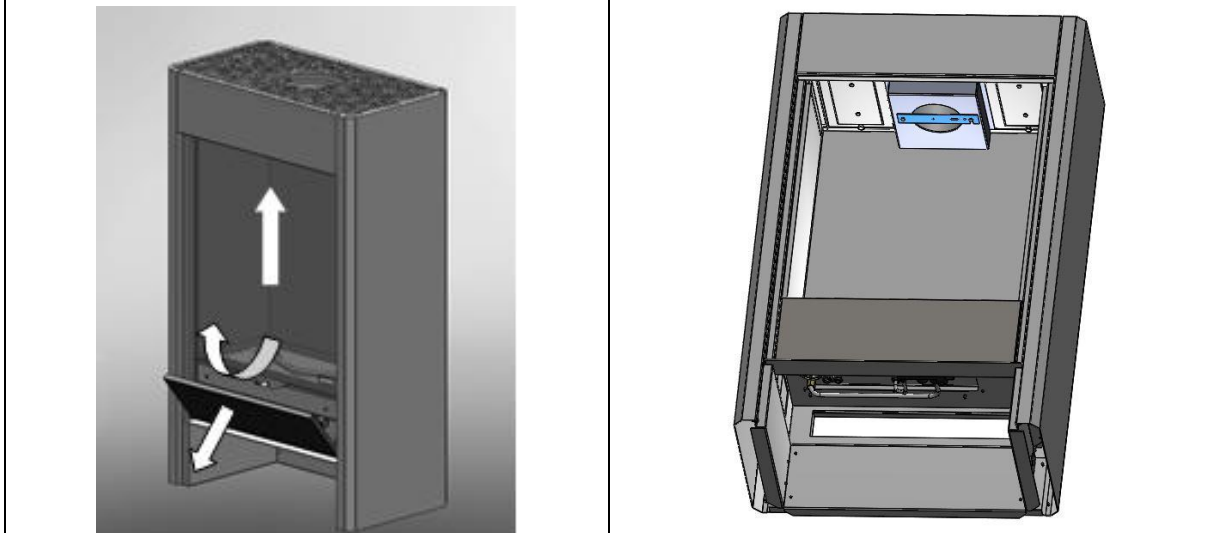


2.1

2.2

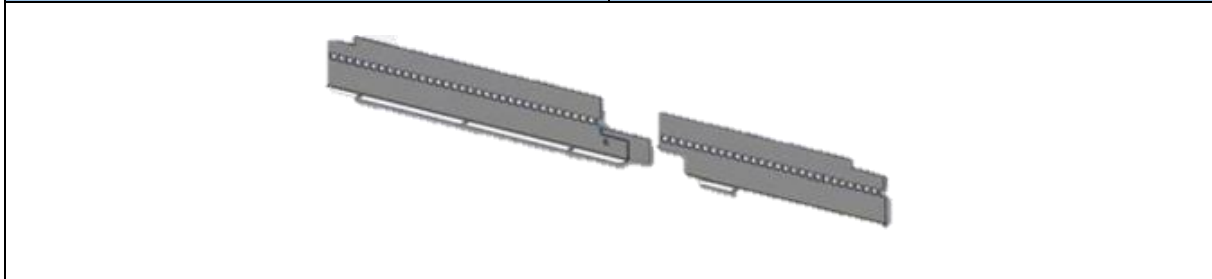


2.3

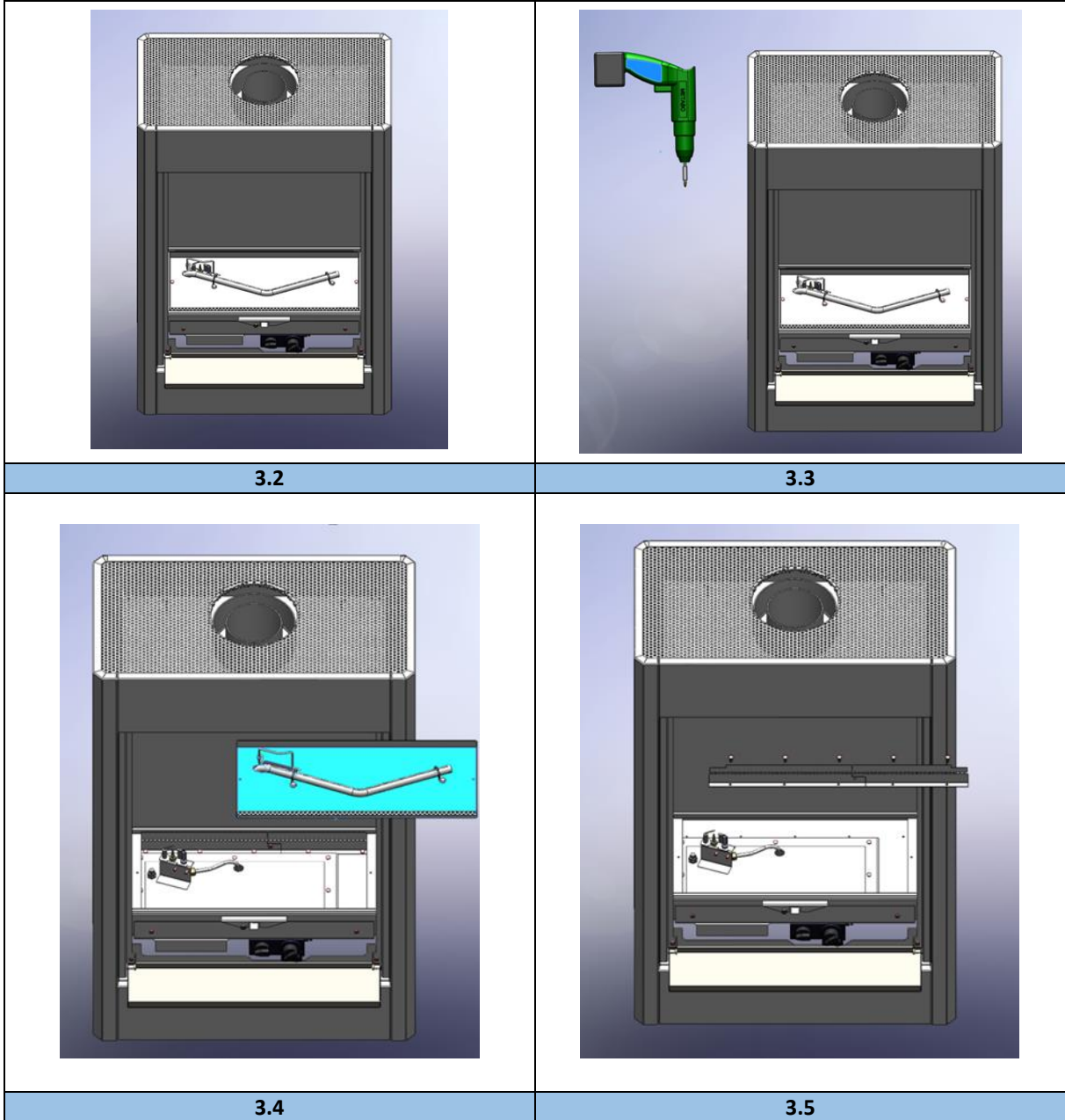


2.4

2.5



3.1



1 Dear user

Congratulations on your purchase of a Faber fire! A quality product from which you will experience warmth and atmosphere for many years. We recommend that you read this manual carefully before using the fireplace. If any problem arises despite our strict quality control, you can always contact your dealer or Glen Dimplex Benelux B.V.

For any warranty claims, it is essential you first register your fireplace. During this registration, you'll find all information regarding our warranty.

➤ **Please note!**

The details of your fireplace can be found in the user manual.

You can register your fire at: www.faberfires.com

Glen Dimplex Benelux B.V.

Address: Saturnus 8

NL-8448 CC

Heerenveen

Tel: +31 (0)513 656 500

Email: contact@faberfires.com

Info: www.faberfires.com

1.1 Introduction

Installation and maintenance of the appliance must be carried out by a professional with proven knowledge and competence. A professional takes into account all technical aspects such as heat radiation and gas connection as well as flue gas exhaust requirements.

Where the installation instructions are not clear, national/local regulations must be followed.

1.2 Check

Check the fireplace for transport damage and immediately report any damage to your supplier.

1.3 CE Declaration

We hereby declare that Glen Dimplex Benelux B.V. released Faber gas-atmosphere heating appliance by its design and construction method complies with the Regulation (EU): 2016/426 and (EU) 2015/1188.

Product: gas room heater

Model: Farum

This declaration will become null and void as soon as the unit is in any way modified without written authorization of Glen Dimplex Benelux B.V.

2 Safety instructions

➤ **Please note!**

It is advisable to always install a screen for the fireplace if children, elderly or disabled people are present in the same room as the fireplace. **If regularly vulnerable persons can be present in the room without supervision, sufficient protection must always be placed around the fireplace.**

- This appliance must be installed according with the rules in force and used only in a sufficiently space.
- The appliance must be checked annually in accordance with this installation manual and the applicable national and local regulations.
- Ensure that the data on the type label matches the local gas type and pressure.
- The appliance is designed for atmosphere and heating purposes. This means that all visible surfaces, including the glass, can become hotter than 100°C. An exception by free standing models is the underside of the fireplace and the control buttons.
- Do not use the remote control and / or app outside the room where the fire is located. So that you are always aware of the situation around the fireplace when it is being operated.
- The settings and the construction of the fireplace must not be changed!
- Do not place extra imitation wood or other material on the burner or in the combustion chamber.
- Do not place any combustible materials within 0,5m of the radiation area of the fire.
- Through the natural air circulation of the fireplace moisture and uncured volatile components from paint, building materials and carpeted floors, etc. are attracted. These parts can settle as soot on cold surfaces. Therefore do not light the fireplace shortly after installation.

2.1 Using the fire for the first time

Provide extra ventilation and open all the windows of the room during the initial start-up of the fire. Let the fire burn at the highest setting for a few hours so that the paint gets the chance to harden and any released vapours are safely removed. Keep vulnerable people and pets out of this room during this process.



3 Installation requirements

3.1 Appliance

- This appliance may not be installed in a chlorine-containing environment. (Pools etc.).
- Minimum distance to combustible materials:
 - Rear side 80mm;
 - Front 500mm;
 - Sides 200 mm;
 - Underside 300mm.

3.2 Discharge and outlet requirements

First, carry out a flue calculation (see chapter 11) and place the right flue restrictor before installing the outlet! (Generally a 30mm flue restrictor is installed).

- For supply and discharge always use the prescribed and to be supplied Faber flue materials. Please contact Glen Dimplex Benelux B.V.. Only with use of these materials Faber can guarantee proper performance.
- The distance to combustible materials must be min. 50mm, calculated from outside of the flue material (EN 1856-1 T600 N1 D Vm – L20040 O(50)).

Outlets (fig. 1.0)

The balanced flue pipe for combined air supply and discharge can use a wall terminal or a roof terminal. Verify that the desired outlet meets the local regulations regarding pollution and ventilation openings.

➤ Please note!

For proper functioning, the outlet must at least be 0,5m away from:

- Corners of the building;
- Roof overhangs and balconies;
- Roof edges (with the exception of the ridge edge, see chapter 15).

C11, outlet via facade

Through a wall or façade, use a Faber wall outlet. Depending on the flue calculation this can be 100/150mm or 130/200mm.

C31, outlet via roof

For a (flat) roof, use a Faber roof outlet with a diameter of 100/150mm.

C91, existing chimney

For an existing chimney, use a Faber chimney outlet with a diameter of 100/150mm.

In this case the existing chimney acts as air inlet an inserted flexible stainless steel pipe discharges the flue gas. The top (Faber chimney cover plate) and the bottom (Faber chimney connection set) should be airtight.

Depending on the calculated flue diameter, you must use a flexible stainless steel pipe of Ø100mm (article number AJ005503) or Ø130mm (article number AJ005603) as specified by Faber. For this, contact Glen Dimplex Benelux B.V.

➤ Please note!

- The minimum chimney diameter for a 130mm flexible stainless steel pipe must be 200x200mm and for a 100mm flexible stainless steel pipe and 150x150mm.
- Don't connect more than one fire at the existing chimney.
- The chimney must be in good condition:
 - No leakage;
 - Well cleaned.

For more information about the connections to existing chimney ducts, please request the installation instructions "Chimney Connection Set".

4 Preparation and installation instructions

4.1 Gas connection

The gas connection must comply with the applicable local standards.

➤ Please note!

Calculate the gas pipe so that no pressure drop occurs.

We advise using a gas connection directly from the gas meter to the appliance (see dimensional drawing 17.2), with a shut-off valve in the proximity of the appliance, which must always be freely accessible. Position the gas connection so that it is easily accessible for service and the burner unit can be disassembled at any time.

4.2 Electrical connection

Install a 230VAC/50Hz wall socket near the fireplace for connecting the control unit.

See fig. 1.2 for the wiring diagram:

- A = Adapter (6 V)
- B = Gas valve
- C = Receiver
- D = Ignition pin



See fig. 1.3 for the wiring diagram with I.T.C (optional):

- A = Adapter (6 V)
- B = Gas valve
- C = Receiver
- D = Ignition pin
- E = I.T.C. (Intelligent Technical Controller)

4.3 Smart Home installation

➤ **Please note**

This is only possible if the fire is equipped with I.T.C!

The controller can be connected to an external source, such as a Domotica system, by using a Faber Interface Unit (article number A9323000).

4.4 Preparing the fireplace

- Remove the fireplace from its packaging.
- Remove the glass and any mouldings, store them at a safe place and remove the packaged parts from the fireplace.
- Prepare the gas connection on the gas valve.

4.5 Positioning the fireplace

Take into account the installation requirements (see chapter 3). Place the fireplace at the right place and level it. There is no height adjustment at the appliance.

4.6 Installing the flue pipes

Install the flue pipes according to the installation manual supplied with the appliance (40011968)!

- The distance to combustible materials must be min. 50mm, calculated from the outside of the flue pipe.
- Never start immediately with length-adjustable concentric flue pipe on the appliance.
- Horizontal sections should be installed to allow a slope towards the appliance (3 degrees).
- Built the system from the appliance. If this is not possible you can make use of an extendable adapter section.
- For fitting of the flue system, the 0,5m length-adjustable pipe must be used. Make sure that the inner pipe is always 15mm longer than the outer pipe. Wall- and roof terminal can also be cut. These components must be secured with a self-tapping screw.

5 Removing glass

- Place the suction cups on the glass (fig 2.3)
- Remove the cover strips left and right (fig. 2.1);
- Remove the glass clamps (fig. 2.2);
- Slide the glass upwards to release the bottom. Now bring the glass forwards and downwards (fig. 2.4).

For replacing the glass repeat the steps in reverse order.

➤ **Please note!**

Avoid fingerprints on the glass, these are no longer removable once the fire is used.

6 Placing decoration material

➤ **Please note!**

- It is not permitted to use other or to add more material in the combustion chamber.
- Do not throw the decoration material on the burner at once. It is possible that the burner gets clogged.

6.1 Log set

See the supplied decoration instruction card or chapter 18.1

- Divide the vermiculite granules over the burner and the bottom. The surface may protrude slightly above the burner plate, but should be flat along its entire length.
- Place the log set.

➤ **Please note!**

Keep the pilot flame free from vermiculite granules.

- Start the fireplace as described in the user manual.
- Assess whether the flame distribution is good. Move or remove any vermiculite granules to create a nice glow bed.
- Install the front glass and check the fire image.



6.2 Pebbles

See the supplied decoration instruction card or chapter 18.2.

- Divide the pebbles over the burner and the bottom. Avoid a double layer, this will adversely affect the fire image.

➤ Please note!

Keep the pilot flame free from pebbles.

- Start the fireplace as described in the user manual.
- Assess whether the flame distribution is good. Move or remove any pebbles to create a nice glow bed.
- Install the front glass and check the fire image.

7 Checking the installation

Checking for gas leaks

Check with a gas leak finder all connections and pipes for gas leakage.

Check primary- and burner pressure

Check if the primary pressure correspond to the data on the rating plate.

Measuring the primary pressure:

- Close the shutoff valve. Turn the measuring nipple "A" (fig. 1.1) a few turns to open and connect a measuring hose to the gas valve.
- Take this measurement when the fireplace runs at high and low settings.
- Do not use the appliance if the pressure deviates (+20% or -20%).

Measuring the burner pressure:

Check the burner pressure only with proper primary pressure.

- Turn measuring nipple "B" (see fig. 1.1) some turns open and connect a measuring hose to the gas valve.
- The pressure must correspond to the value indicated in the technical specifications of this manual. In case of deviation contact the manufacturer.

➤ Please note!

Close both pressure measuring nipples and check for gas leakage.

Check ignition and burner

Ignite the fireplace by using the remote control as described in the user manual and test all burner possibilities.

7.1 Checking the flame image

Let the fireplace burn for at least 20 minutes at highest setting and check the flame for:

- flame distribution;
- colour of the flames.

If one or both points are not acceptable then check:

- The position of the logs and/or the amount of vermiculite granules or the layer thickness of the pebbles.
- The pipe connections for leaks. (in case of blue flames);
- That the correct flue restrictor is fitted (see fig. 2.5).
- The outlet:
 - Wall terminal has the correct position and side up;
 - Roof terminal has the correct position.
- If the maximum lengths of the flue gas outlet is not exceeded.

8 Instructions for client

- Recommend that the fire should be checked annually by a qualified specialist to ensure the safe use and to guarantee a long service life.
- Provide instructions on the operation of:
 - the appliance;
 - the remote control;
 - if present, the App and its settings.
- Give advice and instructions on care and cleaning of the glass:



- Emphasize the danger of fingerprint burns at the glass.
- Handover to customer:
 - installation manual;
 - user manual;
 - decoration instruction card;
 - suction cups;
 - sample Faber glass polish.



9 Annual maintenance

Check

Check and clean if necessary:

- the combustion chamber;
- the burner
- the pilot flame;
- the wooden logs for breakage;
- the glass(es);
- the outlet.

Replace vermiculite granules / pebbles if necessary.

Cleaning

Remove the front glass (see chapter 5).

You can clean the glass with Faber glass polish. This is a specially formulated cleaning agent that can be ordered at authorized Faber dealers. Never use aggressive cleaning agents or abrasive products.

➤ Please note!

Avoid fingerprints on the glass; these are no longer removable once the fire is used.

Now carry out check-up as described in chapter 7.

For an extensive maintenance instruction "maintenance protocol gas fires" see:



10 Conversion to other gas type

This can only be done by replacing the burner. To do so, please contact your dealer. Always provide the type and serial number of the appliance when ordering.

11 Flue calculation

A simple way to calculate whether the exhaust configuration is possible in combination with your fireplace, use the "Faber Flue App V2":



This is available free of charge and can be downloaded via:

Internet:

Android and PC (Windows Store, (Windows 10)).

App Store:

iPhone, iPad and Mac.

Google Play:

Android smart phones and Android tablets.

Alternatively, you can use the calculation sheet (see chapter 13).

The options for flue lengths and any flue restrictors are defined in a restrictor table, see 11.1. Start Length (STL), Total Vertical Height (TVH) and Total Horizontal Length (THL) are used in the table.

- **Start length (STL):**
The first part that is placed on the fireplace and represents a certain value (fig. 12.1, 12.2 and 12.3 A, N and F). You can find this value in the upper row of the restrictor table.
- **Total Vertical Height (TVH):**
TVH is the height difference measured from the top of the appliance to the outlet. This can be measured or determined in the building plan. For clarification, see also the TVH indication in the drawings (fig. 12.1, 12.2 and 12.3).
- **Total Horizontal Length (THL):**
THL is the Total Horizontal Length and consists of elbows and pipes entirely in the horizontal plane. See elbows I, K and Q and the elements H, J, L, M, P and R (fig. 12.1 and 12.2).
- **Horizontal length:**
The Horizontal Length consists of the elements H, J, L, M, P and R (fig. 12.1 and 12.2).
- **Elbows 90° in the horizontal plane:**
Horizontal elbows are elbows entirely in the horizontal plane (fig. 12.1, 12.2 and 12.3 I, K and Q).
- **Elbows 45° or 30° in the horizontal plane:**
Horizontal elbows are elbows entirely in the horizontal plane.
- **Elbows 90° vertical to horizontal:**
These are 90° elbows, which proceed from horizontal to vertical (fig. 12.2 and 12.3 G, O and S).



- Elbows 45° or 30° vertical to horizontal plane:
These are 30° or 45° elbows vertically offset less than 45° (fig. 12.1 B and D).
- Pipes at an angle of inclination:
These are pipes vertically ascending at an angle of 30° or 45° (fig. 12.1 C). Fill in only in combination with at least two 30° or 45° elbows in the vertical part.
- Restrictor table:
See restrictor table for the correct vertical (TVH) and horizontal length (THL).

In case of an “X” or if the values are outside the restrictor table, the combination is not permitted. Then adjust TVH or THL.

If a value is indicated, check that the calculated STL value is not lower than indicated in the restrictor table. In this case STL must be adjusted.

The value found indicates the width of the flue restrictor to be placed (“0” means no flue restrictor). Generally a 30mm flue restrictor is installed (see fig. 2.5).

➤ **Please note!**

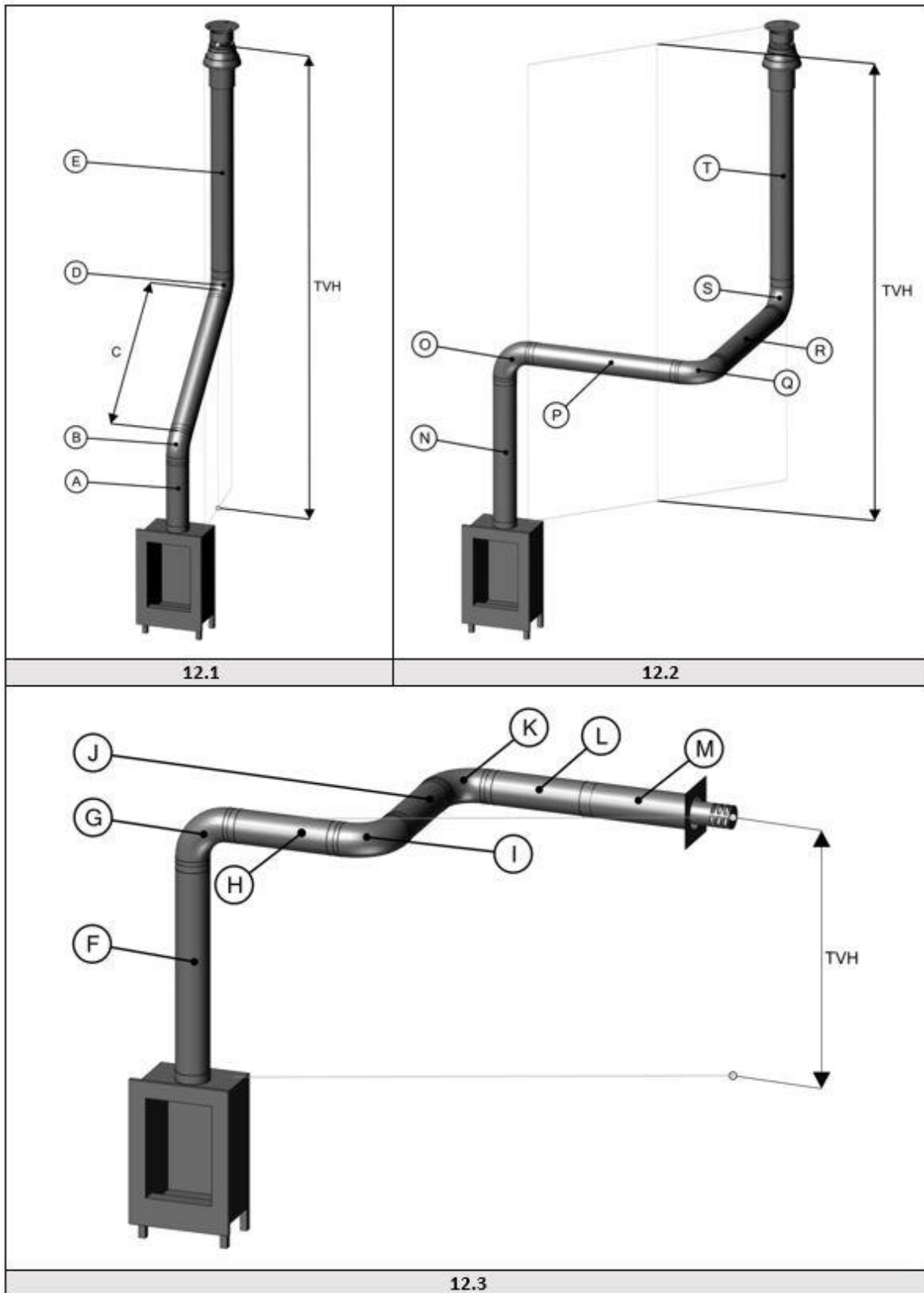
When only a vertical flue length is used, than you must install the additional air restrictor under in the appliance (see fig. 3.2 up to 3.5). The air restrictor comes standard with the appliance (see fig. 3.1).

11.1 Restrictor table (100/150)

Start length (STL) Vertical (TVH) and Horizontal (THL)

STL	0,1	0,2	0,2	0,5	1	1	1					
THL	0	1	2	3	4	5	6	7	8	9	10	
TVH	0	x	x	x	x	x	x	x	x	x	x	x
	0,5	30.00	30.00	x	x	x	x	x	x	x	x	x
	1	30.10	30.00	30.00	0.00	0.00	0.00	0.00	x	x	x	x
	1,5	30.10	30.00	30.00	30.00	0.00	0.00	0.00	x	x	x	x
	2	30.10	40.00	30.00	30.00	30.00	0.00	0.00	x	x	x	x
	3	40.10	50.00	40.00	30.00	30.00	30.00	0.00	x	x	x	x
	4	50.10	50.00	50.00	40.00	30.00	30.00	30.00	x	x	x	x
	5	50.10	60.00	50.00	50.00	40.00	30.00	30.00	x	x	x	x
	6	60.10	60.00	60.00	50.00	50.00	40.00	30.00	x	x	x	x
	7	60.10	60.00	60.00	60.00	50.00	50.00	30.00	x	x	x	x
	8	60.10	65.00	60.00	60.00	60.00	50.00	40.00	x	x	x	x
	9	65.10	65.00	65.00	60.00	60.00	50.00	40.00	x	x	x	x
	10	65.10	65.00	65.00	60.00	60.00	50.00	40.00	x	x	x	x
	11	65.10	65.00	65.00	60.00	60.00	50.00	40.00	x	x	x	x
	12	65.10	65.00	65.00	60.00	60.00	50.00	40.00	x	x	x	x
	13	65.10	65.00	65.00	60.00	60.00	50.00	40.00	x	x	x	x
	14	65.10	65.00	65.00	60.00	60.00	50.00	40.00	x	x	x	x
	15	65.10	65.00	65.00	60.00	60.00	50.00	40.00	x	x	x	x
	16	65.10	65.00	65.00	60.00	60.00	50.00	40.00	x	x	x	x
	17	65.10	65.00	65.00	60.00	60.00	50.00	40.00	x	x	x	x
	18	65.10	65.00	65.00	60.00	60.00	50.00	40.00	x	x	x	x
	19	65.10	65.00	65.00	60.00	60.00	50.00	40.00	x	x	x	x
	20	65.10	65.00	65.00	60.00	60.00	50.00	40.00	x	x	x	x
	21	65.10	65.00	65.00	60.00	60.00	50.00	40.00	x	x	x	x
	22	65.10	65.00	65.00	60.00	60.00	50.00	40.00	x	x	x	x
	23	65.10	65.00	65.00	60.00	60.00	50.00	40.00	x	x	x	x
	24	65.10	65.00	65.00	60.00	60.00	50.00	40.00	x	x	x	x
	25	65.10	65.00	65.00	60.00	60.00	50.00	x	x	x	x	x
	26	65.10	65.00	65.00	60.00	60.00	x	x	x	x	x	x
	27	65.10	65.00	65.00	60.00	x	x	x	x	x	x	x
	28	65.10	65.00	65.00	x	x	x	x	x	x	x	x
29	65.10	65.00	x	x	x	x	x	x	x	x	x	
30	65.10	x	x	x	x	x	x	x	x	x	x	

12 Examples flue materials



13 Calculation sheet

Starter length (STL)				
First part on top of the appliance		Value		
Flue length from 0,1m till 0,45m		0,2		
Flue length from 0,5m till 0,90m		0,5		
Flue length from 1m till 1,4m		1		
Flue length from 1,5m till 2m		1,5		
Flue length 2m or more		2		
Bend 90°		0,1		
Bend 45°, 30° or 15°		0,2		
Roof terminal		1		
Wall terminal		0		
				Value
			
Total Vertical Height (TVH)				
measured height			rounded value	
..... meter		 meter	
Total Horizontal Length (THL)				
Calculation				
Part	number	x	value	result
Total Length in meters	x	1
90° Bend, vertical to horizontal	x	0,4
45° Bend, vertical to horizontal	x	0,2
90° Bend in horizontal direction	x	1,5
45° Bend in horizontal direction	x	1
flue pipes at an angle in meters	x	0,7
				rounded value
Total			+ meter

Search in the table at TVH and THL and enter the value that is found.		found value
	
If the detected value is a number, check whether the completed STL is higher or equal to the value in the table.		
Is the STL value lower as specified in the table then the installation is not possible. Solution: Start length to low, see for the minimum length in the top row of the table.		
Is the found value X, then the installation is not possible. Solution: Change the TVH or THL.		
Results		
Restrictor size = Value for the comma	 mm
Extra information = Value behind the comma		mark
Install the air restrictor plate, see installation manual	0,1	<input type="checkbox"/>
Install adapter 100/150 direct on top of the fire	0,2	<input type="checkbox"/>
In case of wall terminal, install adapter 100/150 before the last bend, in case of roof terminal just before the terminal.	0,3	<input type="checkbox"/>
In case of roof terminal (always size 100/150) install the 100/150 adapter just before the terminal. Wall terminal 130/200	0,4	<input type="checkbox"/>
From the fire first an adjuster to 130/200 and 1 meter 130/200, after that reduce to 100/150 and everything 100/150.	0,5	<input type="checkbox"/>

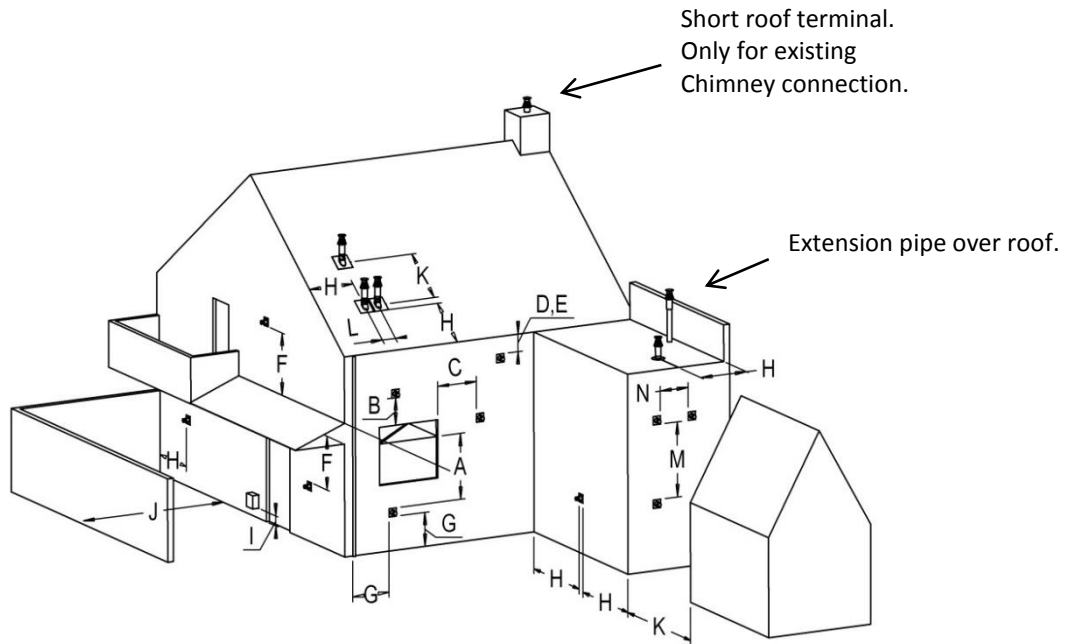
14 Technical data

Technical data						
Type indication(s)	Farum, Fyn, Fyn 450, Concept I-450					
Type appliance	C11/C31/C91					
Diameter outlet/inlet	100/150					
Gas connection	3/8"					
Indirect heating functionality	no					
Category	II2H3+					
	Symbol					Unit
Reference gas/inlet pressure		G20-20	G30-30	G31-37		mbar
Emissions in space heating	NOx	78	88	85		mg/kWh _{input} (GVC)
Direct heating output						
Nominal heat output	P _{nom}	4,2	3,9	3,9		kW
Minimum heat output (indicative)	P _{min}	1,5	1,4	1,4		kW
Useful efficiency (NCV)						
At nominal heat output	η _{th,nom}	93,7	93,7	93,7		%
At minimum heat output (indicative)	η _{th,min}	89,7	89,7	89,7		%
Appliance input data						
Input	Hi	4,5	4,2	4,2		kW
Gas rate at full mark		0,482	0,127	0,164		m ³ /h
			320	310		kg/h
Burner pressure at full mark		10	24,8	31,6		mbar
Power requirement for permanent pilot light						
Power requirement for permanent pilot light (if applicable)	P _{pilot}	0,11	0,11	0,11		kW
Additional electricity consumption						
At nominal heat output	el _{max}	0	0	0		kW
At minimum heat output	el _{min}	0	0	0		kW
In standby mode	el _{sb}	0	0	0		kW
Energy-efficiency						
Energy-efficiency class		A	A	A		
Energy-efficiency index	EEl	88	88	88		
Type heating output/control room temperature		Other control options				
One step heat output, no control of room temperature	no	Control of room temperature, with presence detection			no	
Two or more manually adjustable stages, no control of room temperature	no					
With mechanical control of the room temperature by thermostat	no	Control of room temperature, with open window detection			no	
With electronic control of the room temperature	no					
With electronic control of the room temperature plus day-time switch	yes	With optional remote control			yes	
With electronic control of the room temperature plus week-time switch	no					
Glen Dimplex Benelux Saturnus 8 Heerenveen The Netherlands						

15 Outlet position

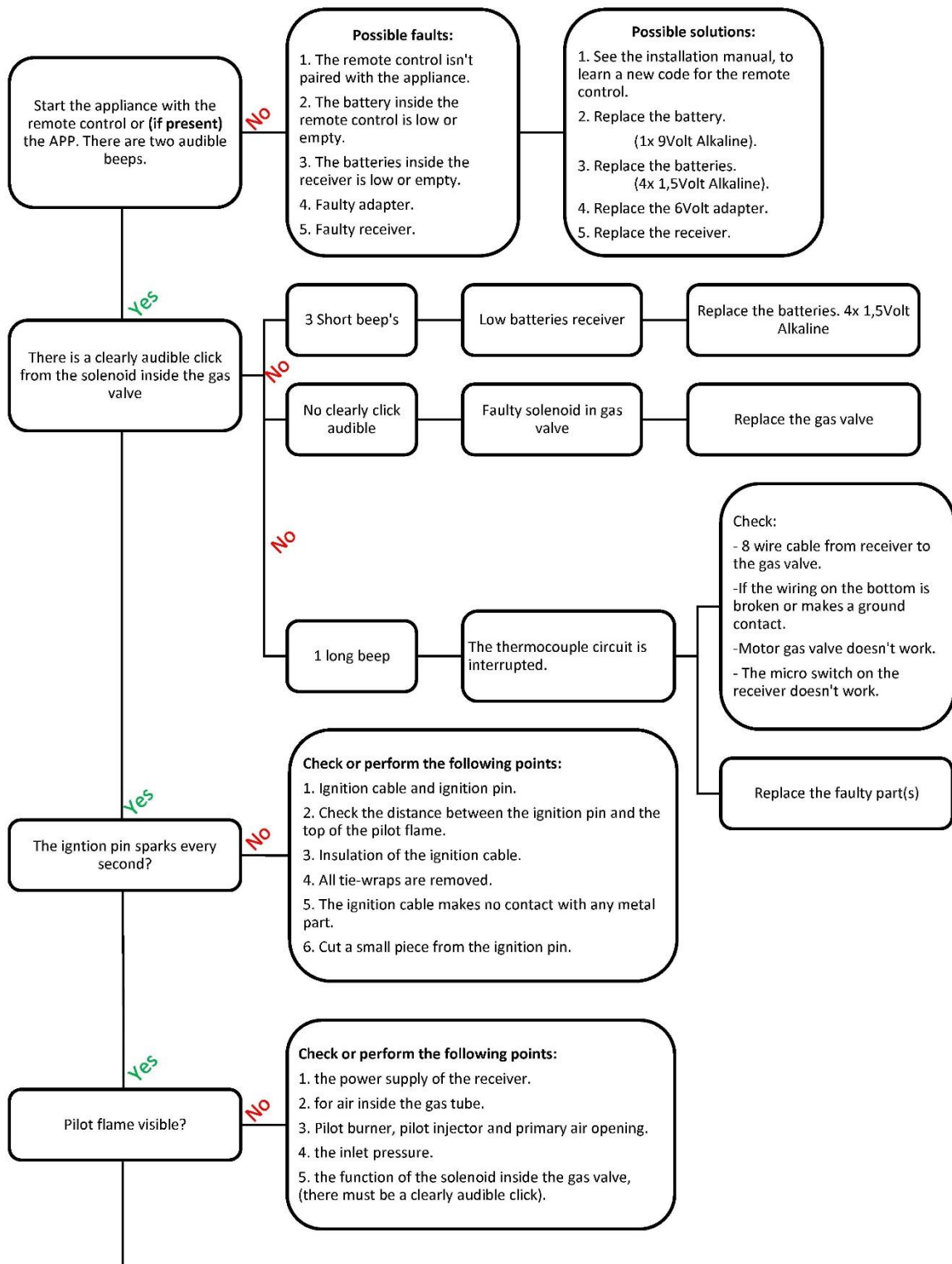
➤ **Please note!**

These rules apply only for the proper functioning of the unit, for ventilation and environmental protection you need to comply with the applicable rules as defined in the building regulations.

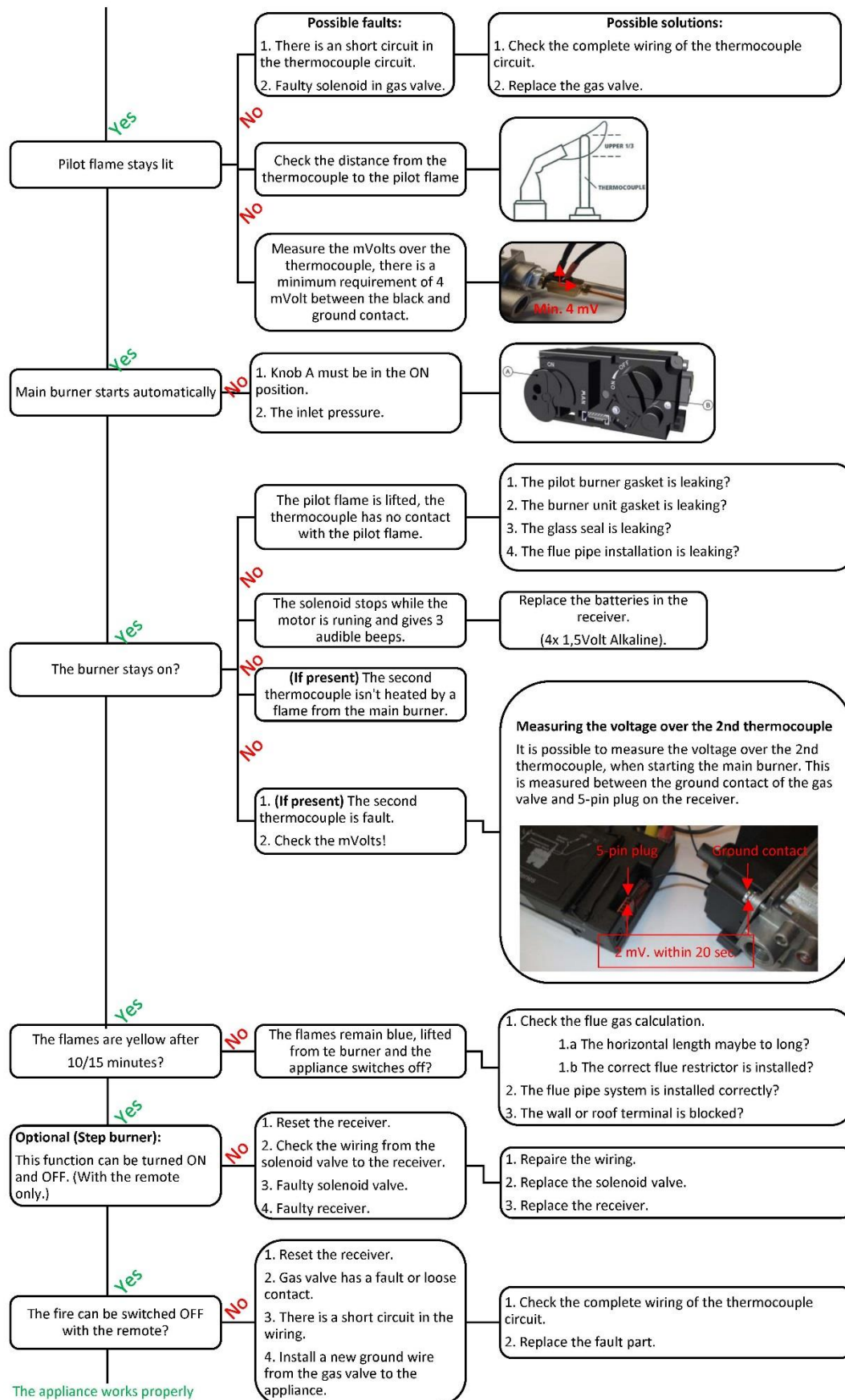


Location	Position outlet	Distance mm
D	Under a gutter	500
E	Under a roof edge	500
F	Under a carport or balcony	500
G	Vertical downpipe	300
H	Inside and outside corners	500
J	From wall surface to a wall outlet	1000
K	Two gable outlets against over each other	1000
L	Distance between two roof outlets	450
M	Two roof outlets above each other on a pitched roof	1000
N	Two gable outlets next to each other	1000

16 Troubleshooting guide

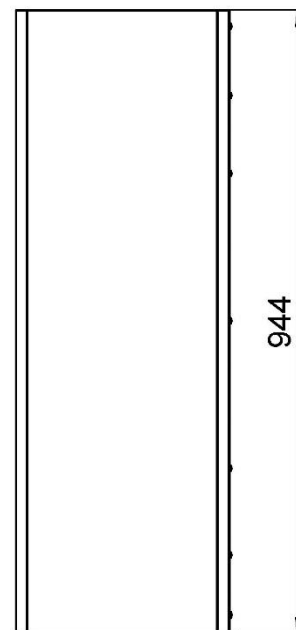
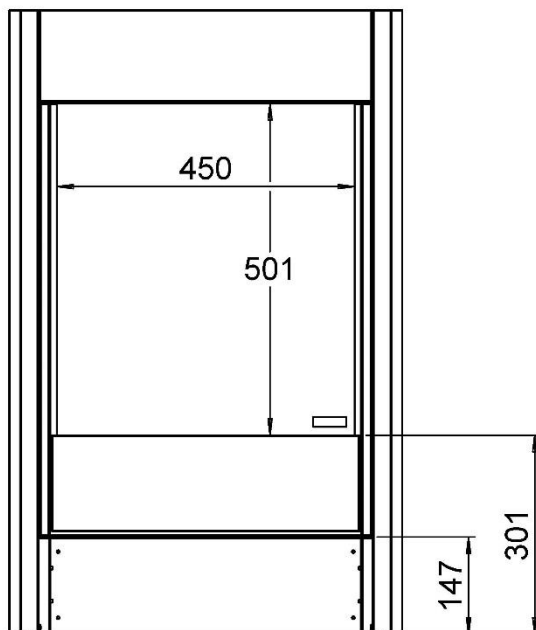
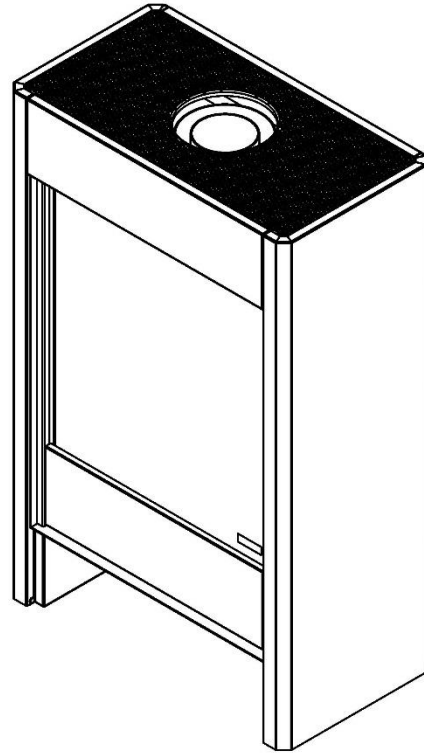
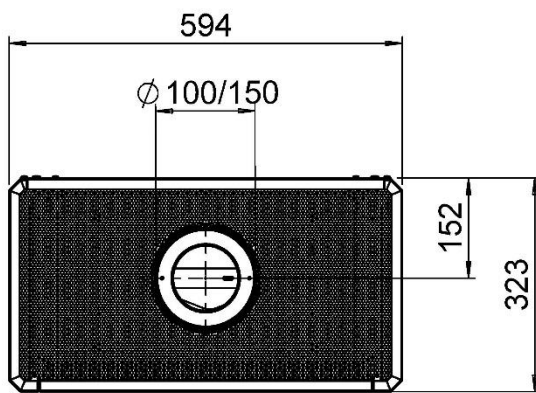


Continues on the next page.

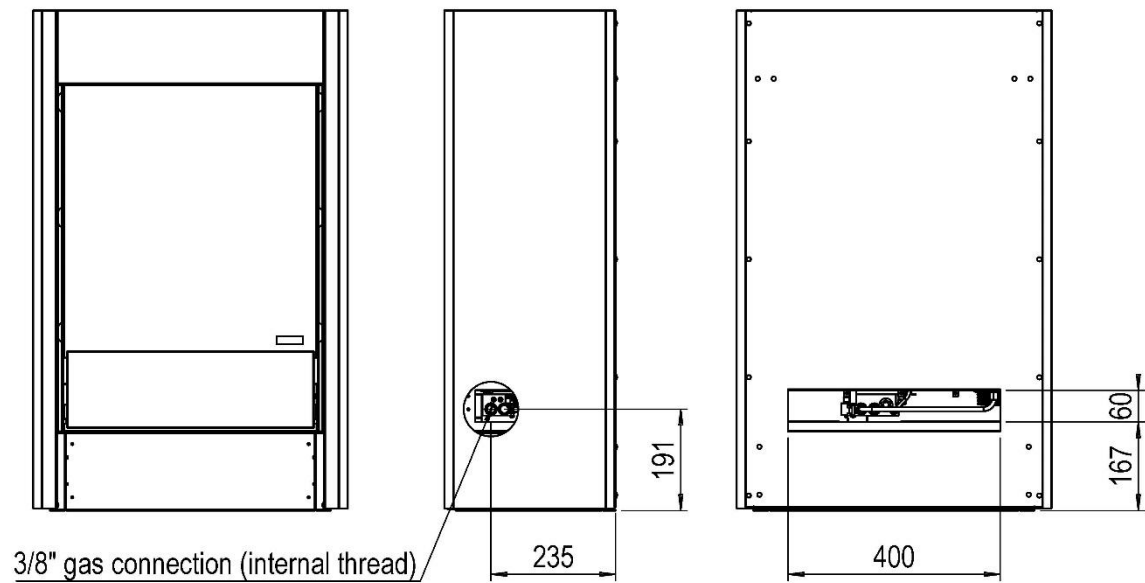
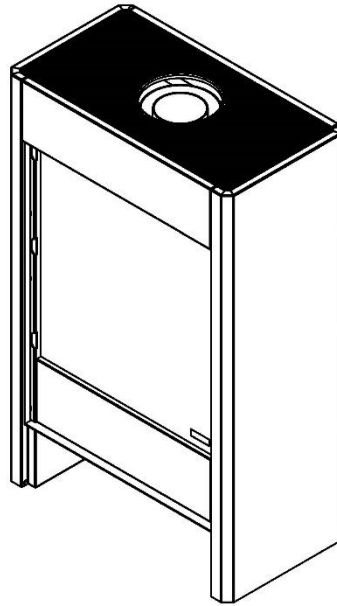


17 Dimensional drawings

17.1 Farum

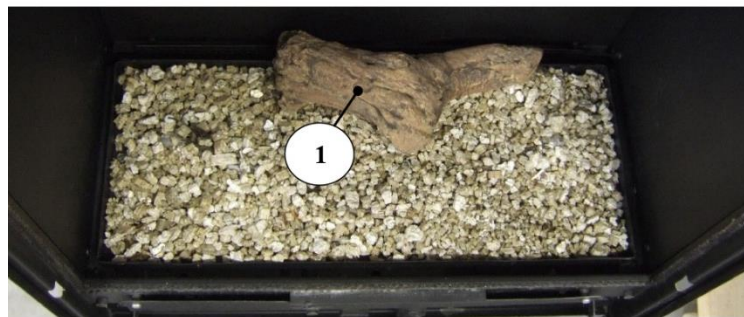


17.2 Position gas connection



18 Decoration instruction card

18.1 Log set



18.2 Pebbles





www.faberfires.com

Saturnus 8

Postbus 219

contact@faberfires.com

NL 8448 CC Heerenveen

NL 8440 AE Heerenveen