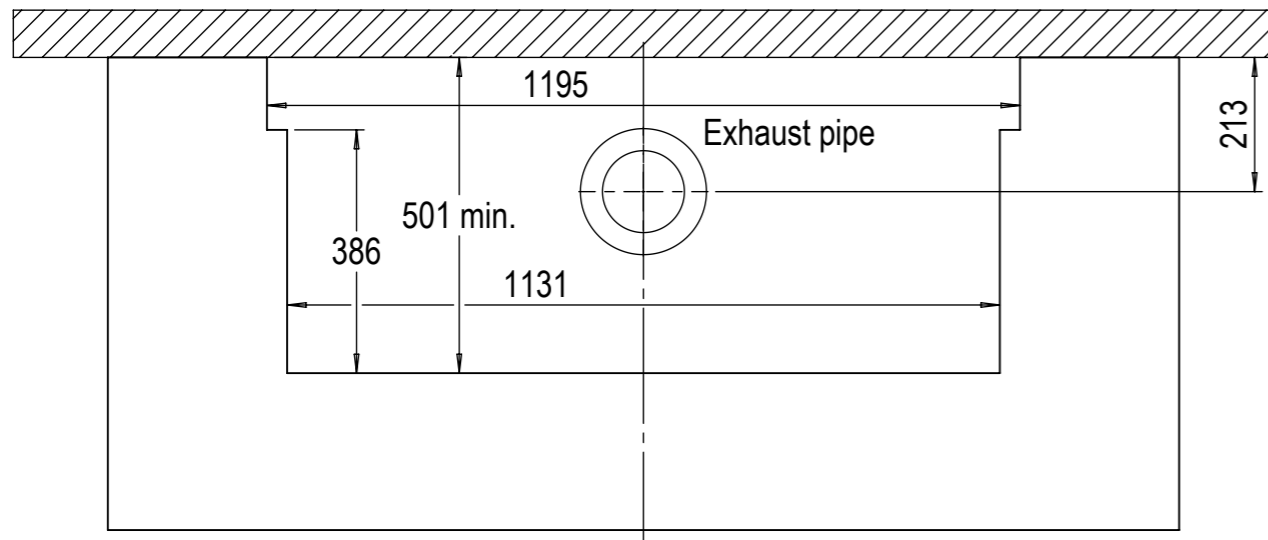
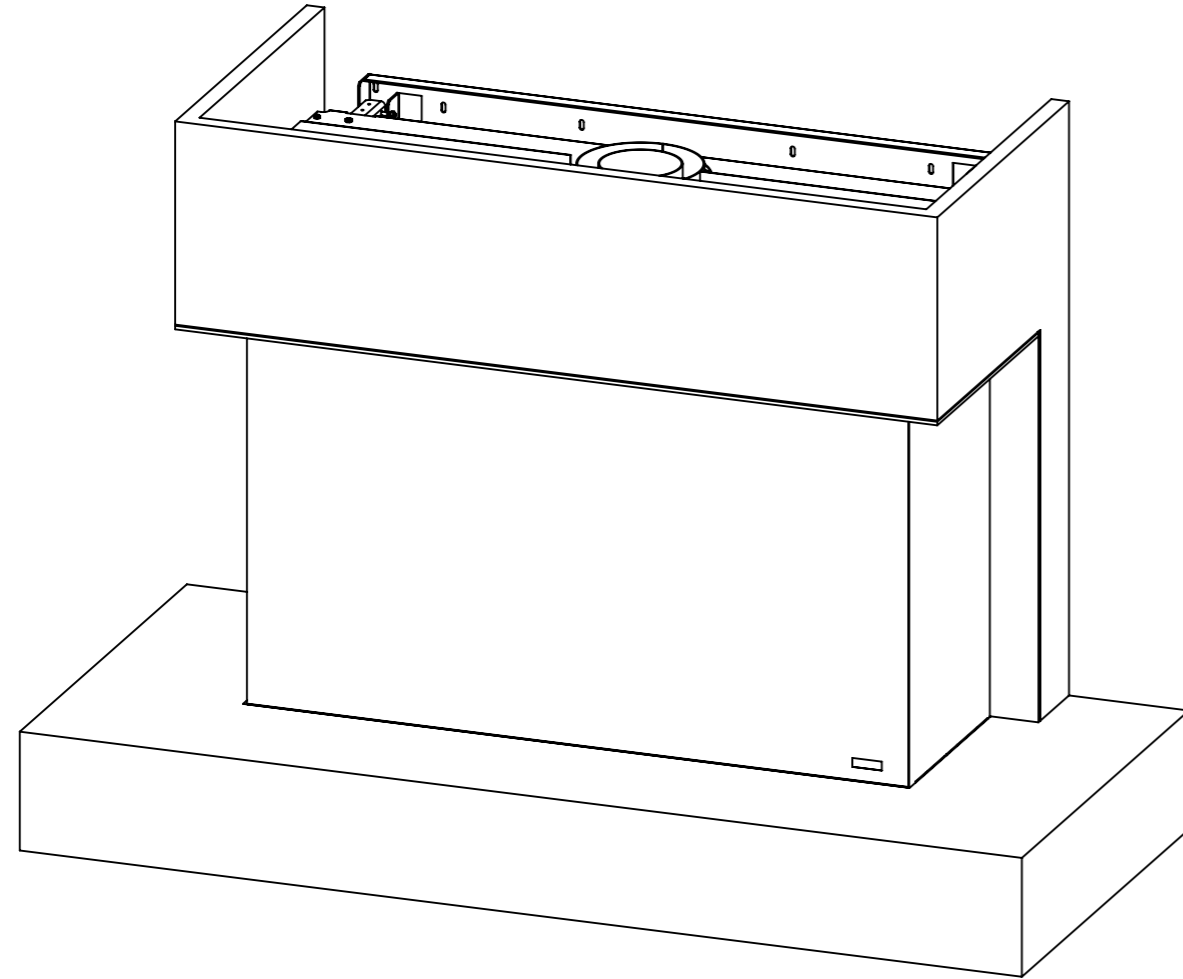
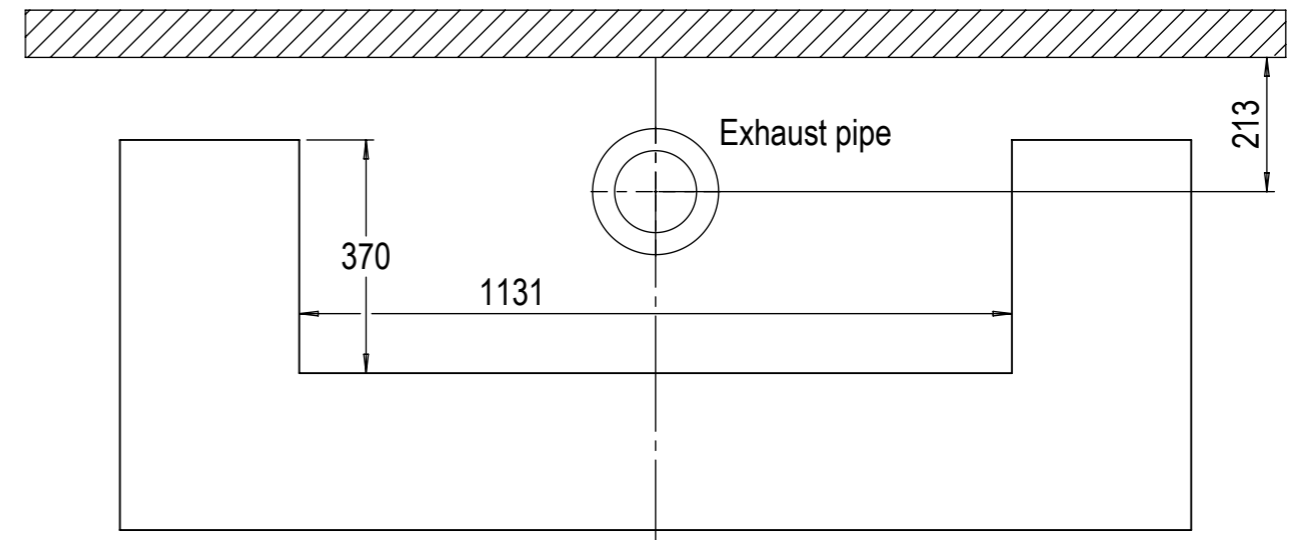
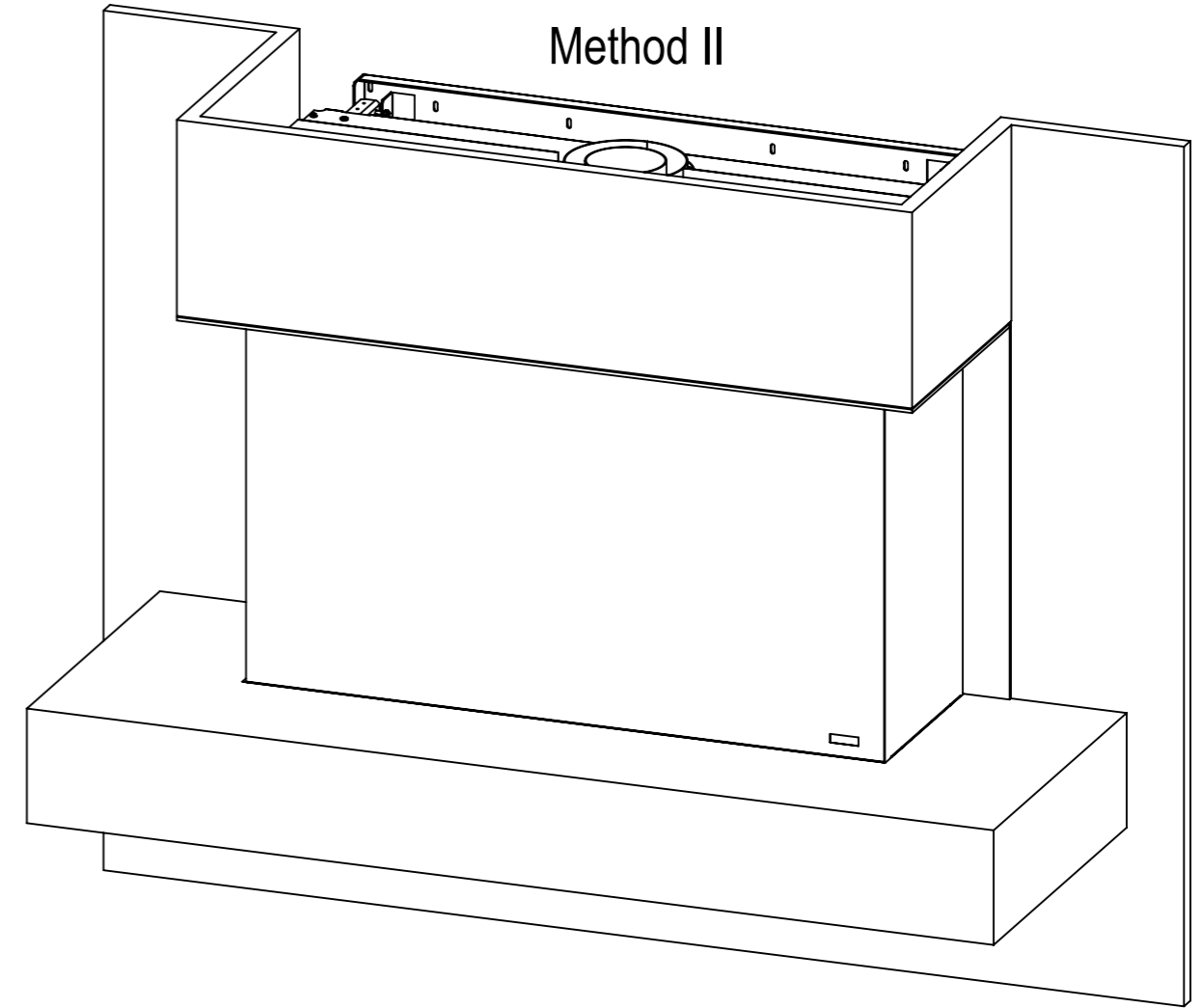


Method I



Method II



Dimensional drawing cutting size plateau MatriX 1050/650-III (till 01-10-2017)



Glen Dimplex Benelux BV

P.O. box 219, NL-8440 AE Heerenveen Tel.: +31(0)513 656500 Fax: +31(0)513 656531